

# Multimag Cyble

Commercial and Industrial applications DN25 to DN50

Multimag Cyble is an excellent multi-jet turbine water meter for commercial and industrial applications, ready for automated metering reading (AMR).

Thank to the growing need of automation in the metering application, Itron has developed Multimag Cyble in order to provide very good and durable metrology performance combined with AMR capability.

## Communication

Pre-equipped register that enables the use of Cyble communicating modules.

At anytime the Cyble modules can be easily mounted, making it a powerful communicating device for several AMR systems:

- > Radio walk-by systems
- > Radio fixed data collection
- > M-bus wired systems
- > Any other system based on pulse outputs

## Technology

The best metrological performance is guaranteed thanks to the great resistance of the hydraulic components and the perfect balance of the turbine.

In addition to that it is equipped with a powerful magnetic transmission combined with an extra dry register. All that resulting in a very high accuracy and durability.

## Metrology Performance

Class B in horizontal position according to ISO 4064 (1999).

## Main Characteristics

- > Enhanced design and technologies combining high performance with long-term reliability
- > High quality engineering materials
- > Register can be oriented to allow easily reading
- > 100% of the products are calibrated on electronic test benches
- > All calibration results can be provided
- > INMETRO approval.

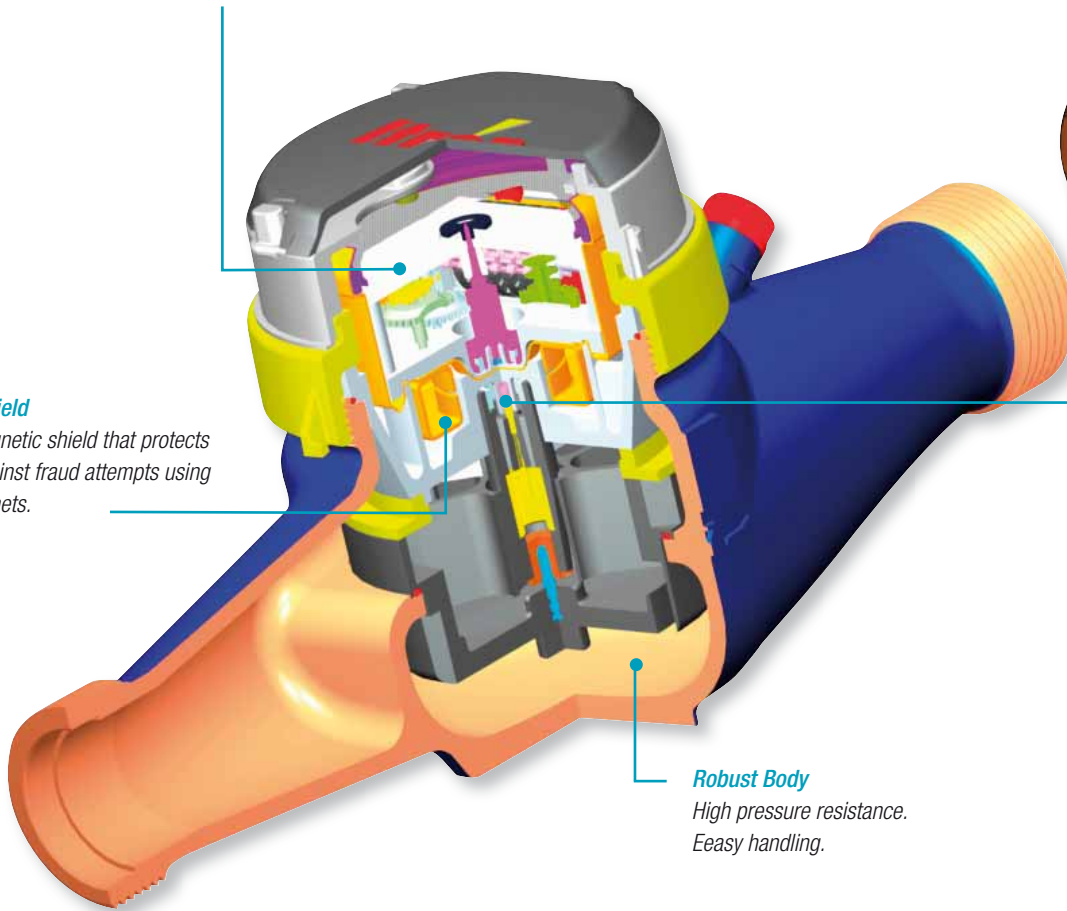
- > Pre-equipped
- > Anti fraud register
- > Reliability
- > Robustness





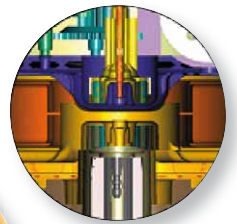
**Registers**

It is made with a copper case and glass lens, hermetically sealed it is resistant against condensation and also water proof (IP68). As an option, it is available plastic version (IP67). It is equipped with the Cyble target, that allows the mounting of any Cyble module.



**Magnetic Shield**

Exclusive magnetic shield that protects the meter against fraud attempts using external magnets.



**Magnetic Transmission**

The transmission between the turbine and extra-dry register is achieved by magnetic coupling ensuring a precise and reliable metering.

**Robust Body**

High pressure resistance.  
Easy handling.



**Cyble module fixation**

The Cyble modules are mounted on the top of the register, its fixation is secured through 4 different points, including a screw that is sealed. That assures reliability and security for AMR.

## Adaptability

The Multimag Cyble can be equipped with Cyble modules, becoming a remote reading interface.

Benefits & Characteristics:

- > Fast reading and billing
- > Leak detection
- > Reverse flow detection
- > Fraud detection
- > Study of customers habits
- > Reliability
- > Immune to magnetic fraud
- > Field tested for over 5 years

> *Cyble RF*



> *Cyble M-Bus*



> *Cyble Pulse*



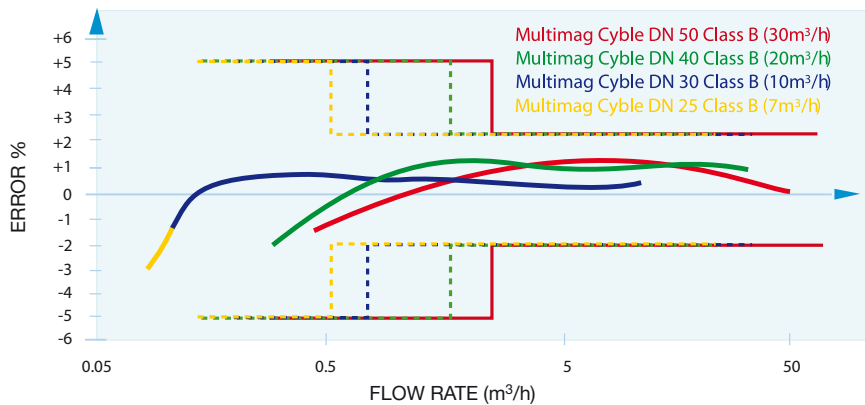
> *Handheld for walk-by system*



> *Radio drive-by system*



## Typical Curve Multimag Cyble



> *Multimag Cyble equipped with Cyble RF*



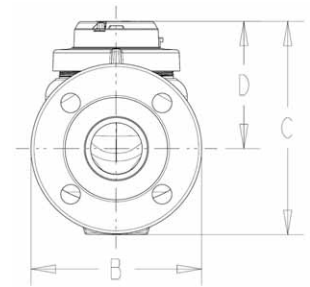
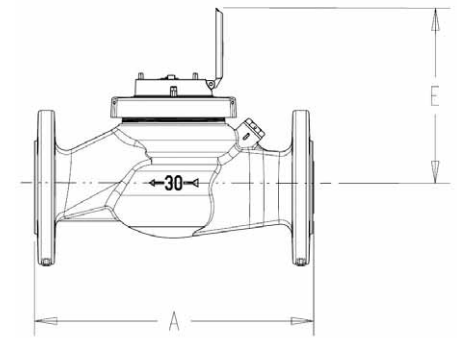
## Technical Characteristics

Nominal diameter (DN)	mm threads	25 1 1/4"	30 1 1/2"	40 2"	50 Flanged
Metrology	Class	B (H)	B (H)	B (H)	B (H)
Typical Start-up	L/h	25	30	70	90
Minimum Flow Rate	Qmin L/h	70	100	200	300
Transitional Flow Rate	Qt L/h	280	400	800	1200
Nominal Flow Rate	Qn m <sup>3</sup> /h	3.5	5.0	10	15
Maximum Flow Rate	Qmax m <sup>3</sup> /h	7	10	20	30
Maximum temperature	°C			40	
Maximum Operating Pressure	bar			16	
Head Loss at Qmax	bar			< 1	
Maximum Reading	m <sup>3</sup>	9.999 or 99.999		99.999	
Minimum Reading	L	0.02		0.2	

## Dimensions

Nominal diameter (DN)	mm	25-30	50
A (Length)	mm	260	300
B (Width)	mm	98	130
C (Height)	mm	120	150
D (Axle to lid)	mm	70	90
E (Axle to the open lid)	mm	140	180

### > Dimensions



### About Itron Inc.

Itron Inc. is a leading technology provider to the global energy and water industries. Our company is the world's leading provider of metering, data collection and utility software solutions, with nearly 8,000 utilities worldwide relying on our technology to optimize the delivery and use of energy and water. Our products include electricity, gas and water meters, data collection and communication systems, including automated meter reading (AMR) and advanced metering infrastructure (AMI); meter data management and related software applications; as well as project management, installation, and consulting services. To know more, start here: [www.itron.com](http://www.itron.com)

For more information, contact your local sales representative or agency.

**Itron**

Av. Joaquim Boer, 792 Cx. Postal 209  
13477-360 – Americana – SP – Brasil  
Tel: +55 (19) 3471.8400  
Fax: +55 (19) 3471.8466  
[www.itron.com.br](http://www.itron.com.br)